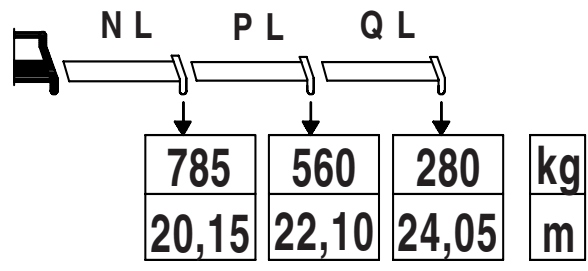
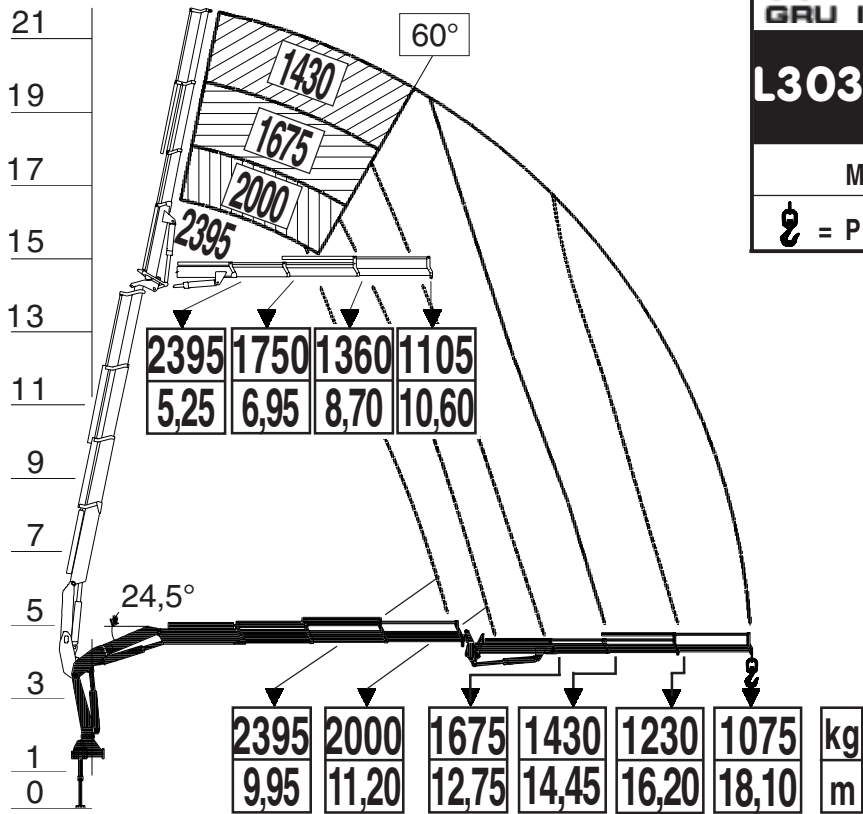




# L303/F330.23

Mmax 234 kNm

= Pmax 2.395 kg



NL (50) PL (25) QL (20)

DE 2239